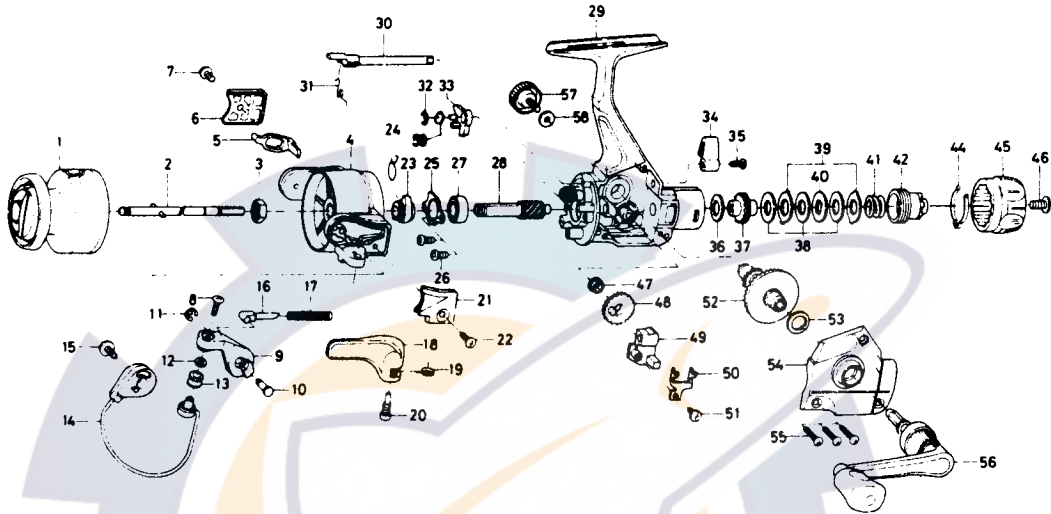


SPINNING REEL — EL1355H



Key No.	Part No.	Part Name	Price	Key No.	Part No.	Part Name	Price
1	E41-5301	Spool assembly	7.50	30	E40-5801	Anti-reverse cam	.70
2	E40-7801	Main shaft assembly	2.05	31	F05-5901	Anti-reverse cam spring	.50
3	341-9201	Rotor nut	.55	32	320-5901	Anti-reverse pawl retainer	.50
4	E41-5001	Rotor	4.50	33	E40-6301	Anti-reverse pawl	.95
5	B83-5701	Bail trip lever	1.20	34	E40-5901	Anti-reverse lever	.90
6	E40-7501	Bail trip cover	.60	35	B64-6602	Anti-reverse lever screw	.50
7	E36-4201	Bail trip cover screw	.70	36	B48-9902	Drag washer A	.45
8	B67-9303	Line roller screw	.45	37	B83-3602	Click gear	.70
9	F03-6901	Bail arm	1.20	38	B49-0202	Drag washer B	.60
10	F03-7101	Bail arm screw	1.00	39	B49-0102	Eared washer	.40
11	320-5901	Bail arm screw retainer	.50	40	B49-0301	Key washer	.45
12	B55-4301	Line roller washer	.40	41	E41-5601	Drag coil spring	.70
13	L01-8201	Line roller	.90	42	E43-5501	Drag screw	.95
14	E41-5101	Bail	3.50	44	B74-7702	Drag washer spring	.45
15	E00-7102	Bail trip cam screw	.45	45	E40-6401	Drag knob	1.35
16	E21-3501	Bail spring shaft	.40	46	352-1105	Drag knob screw	.55
17	E21-3401	Bail spring	.60	47	E29-9401	Oscillating gear collar	.85
18	F03-7001	Trigger lever	2.50	48	B74-2503	Oscillating gear	.70
19	E36-9901	Trigger spring	.70	49	E40-7601	Oscillating slider	1.10
20	E37-0001	Trigger screw	1.50	50	E41-3701	Oscillating slider retainer	.60
21	E40-7101	Bail spring cover	.60	51	351-1804	Drag lever lock washer	.45
22	E36-4201	Bail spring cover screw	.60	52	E40-7701	Drive gear	2.50
23	E40-6101	Anti-reverse ratchet	1.90	53	373-7808	Drive gear washer	.40
24	E40-6201	Anti-reverse pawl spring	.60	54	E40-8002	Side cover	2.50
25	B45-6402	Bearing retainer	.50	55	B83-5001	Side cover screw	.60
26	B83-4402	Bearing retainer screw	.50	56	E41-4301	Handle assembly	7.55
27	634-1301	Ball bearing	6.95	57	B92-5003	Handle lock screw	.85
28	E40-6001	Pinion gear	4.10	58	E20-8901	Handle lock washer	.45
29	E40-5502	Body assembly	5.90	59	F07-1901	Anti-reverse pawl spring	.50